



World's leader in Billet Carburetors

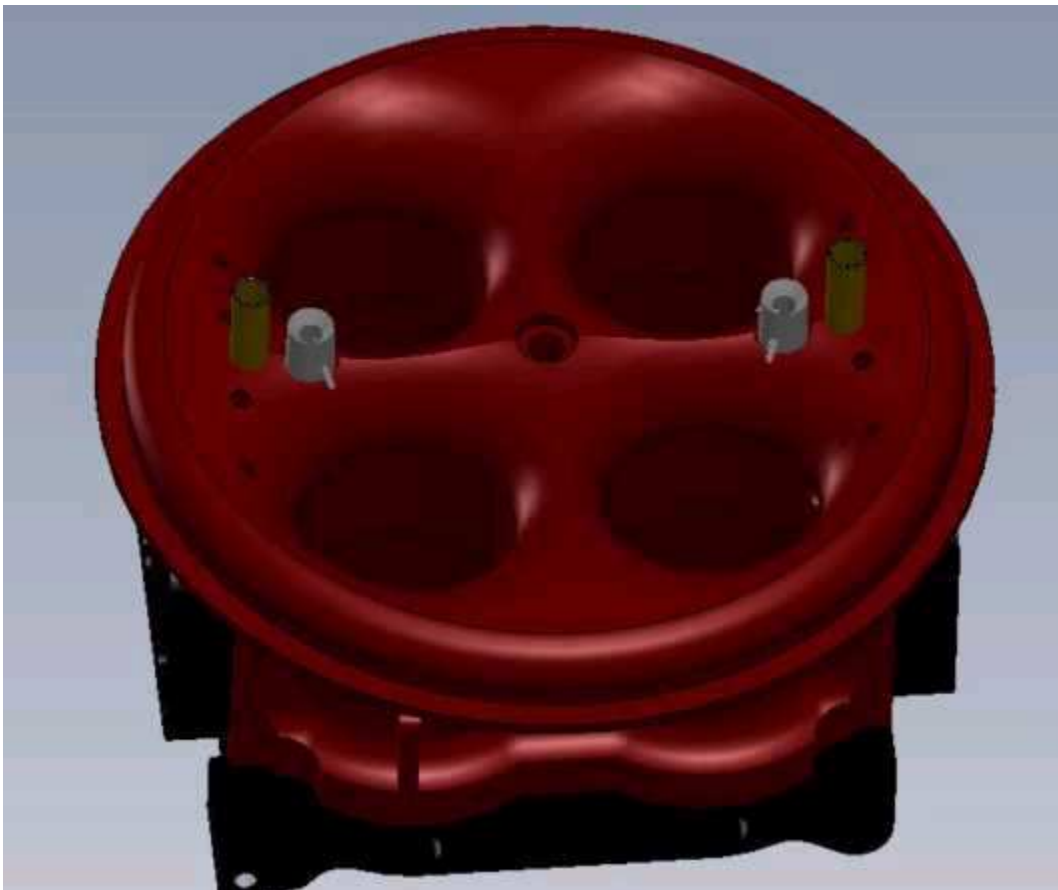
News for 11/17/09

The Ultimate Pro Stock Carb is here!

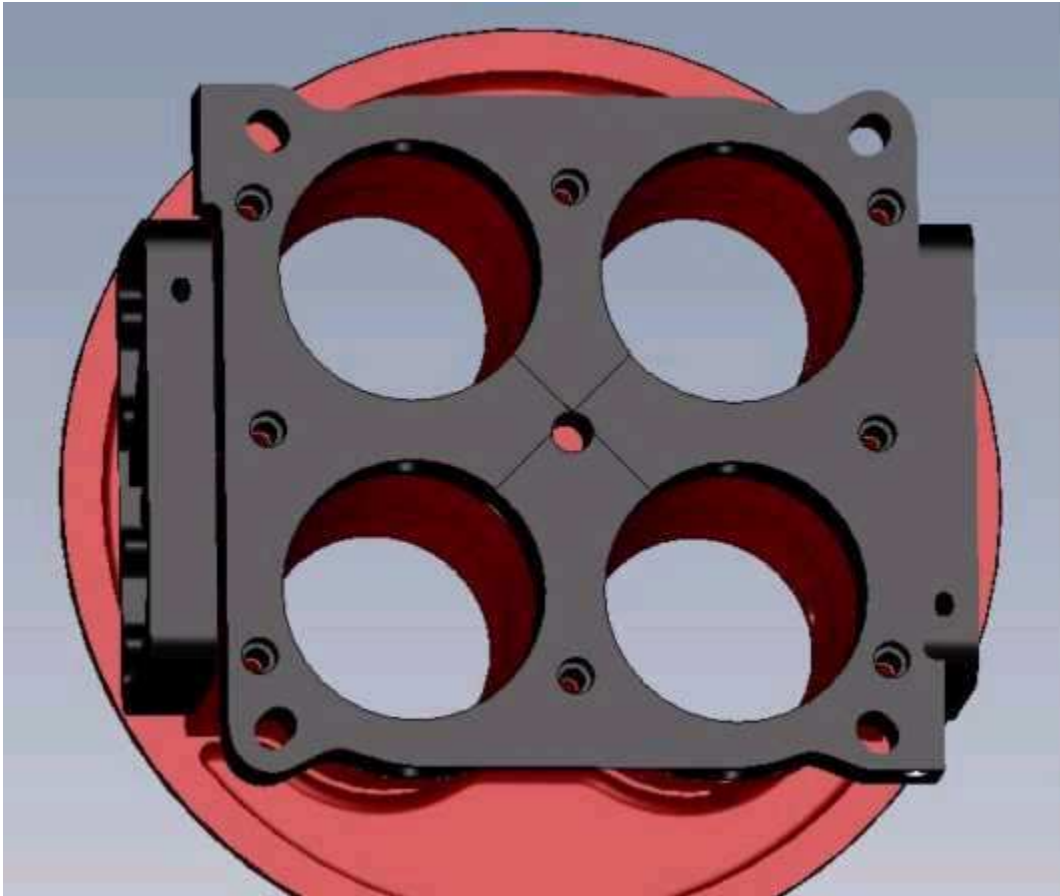
Another week of exciting news,

We have just finished our new ULTIMATE PRO STOCK Carburetor. This carb has the bolt pattern of the 4500 and 7300 series carbs, with the bore spacing and air cleaner diameter of the new 7300 series. It also shares the same air pan to base height, making it a direct replacement for the new 7300 series carbs

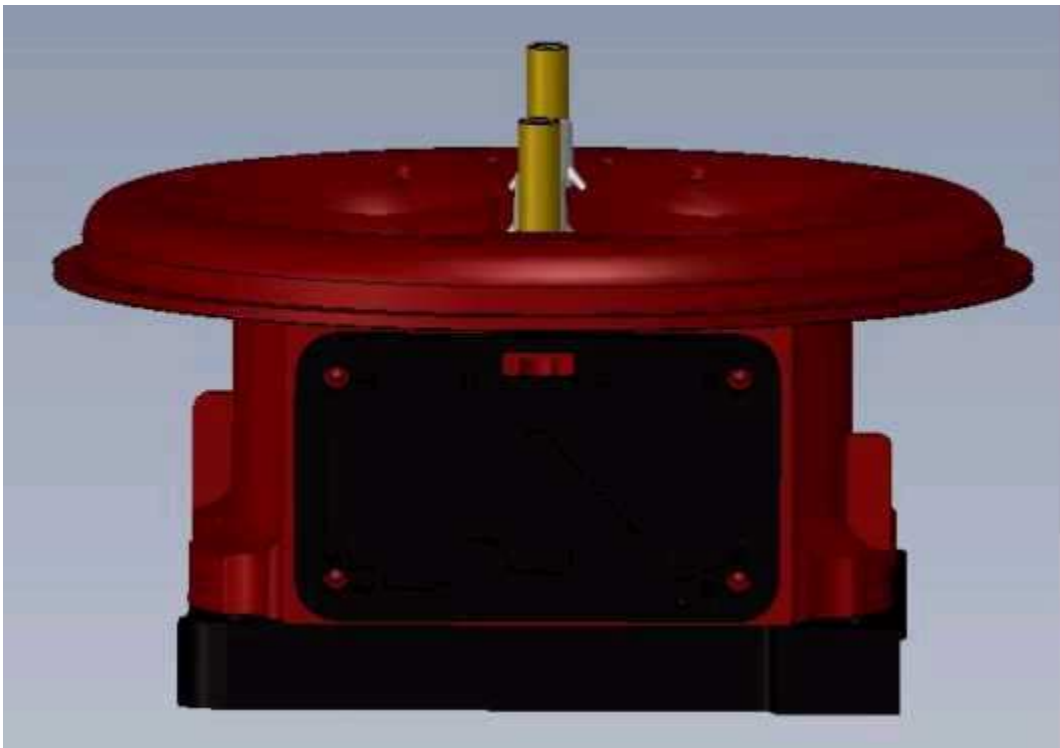
Thanks everyone for making us a part of your projects,
John



The Ultimate Pro Stock follows our current theme of being a base-plated carburetor. Incorporating current patents, along with two more in pending.



The die pattern baseplate has both 4500 and 7300 in it.



Lite weight profile.

Other News

- See us in booth 4111 at the PRI.
- Great news! *dAMBEST* is now an officially accepted carburetor brand in the Australian National Drag Racing Association, [ANDRA](#)! We are legal in Pro Stock events. Our [4500 Series](#) and [Split 4500 Series](#) carb would be recommended.



PS: \$500 REWARD for a copy of my 1992 Superflow Presentation on VHS!

Visit dambest.com.

If you do not wish to receive this News Letter, just reply with REMOVE.

Please return the complete News Letter to help us remove the correct address, [Email]